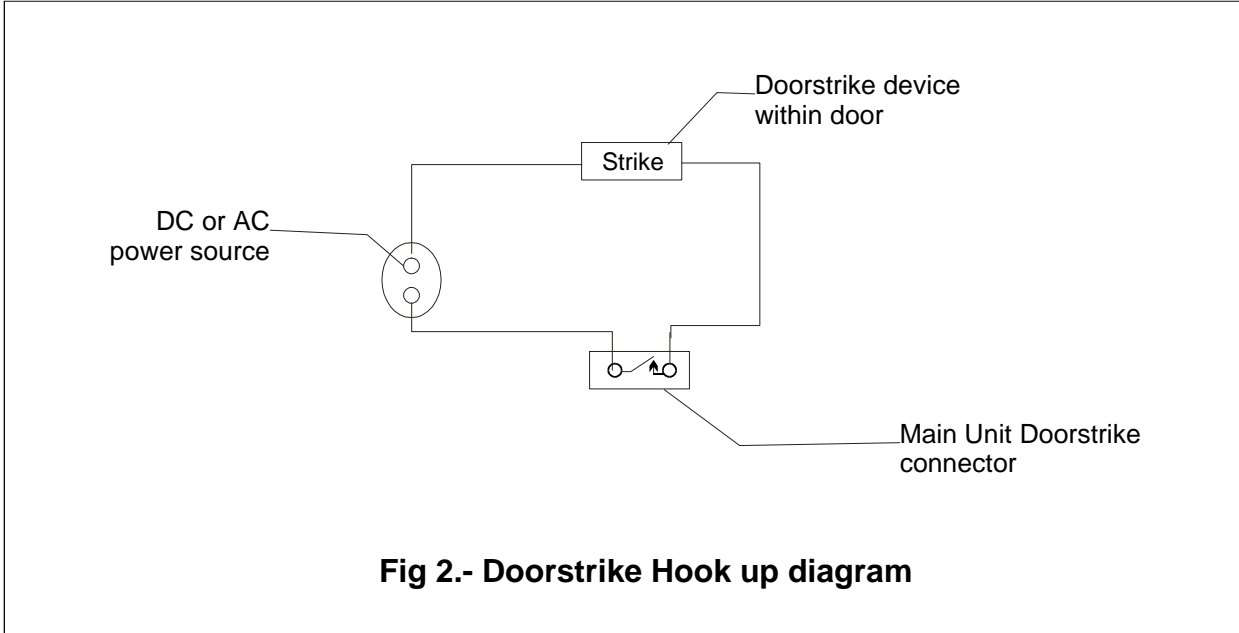
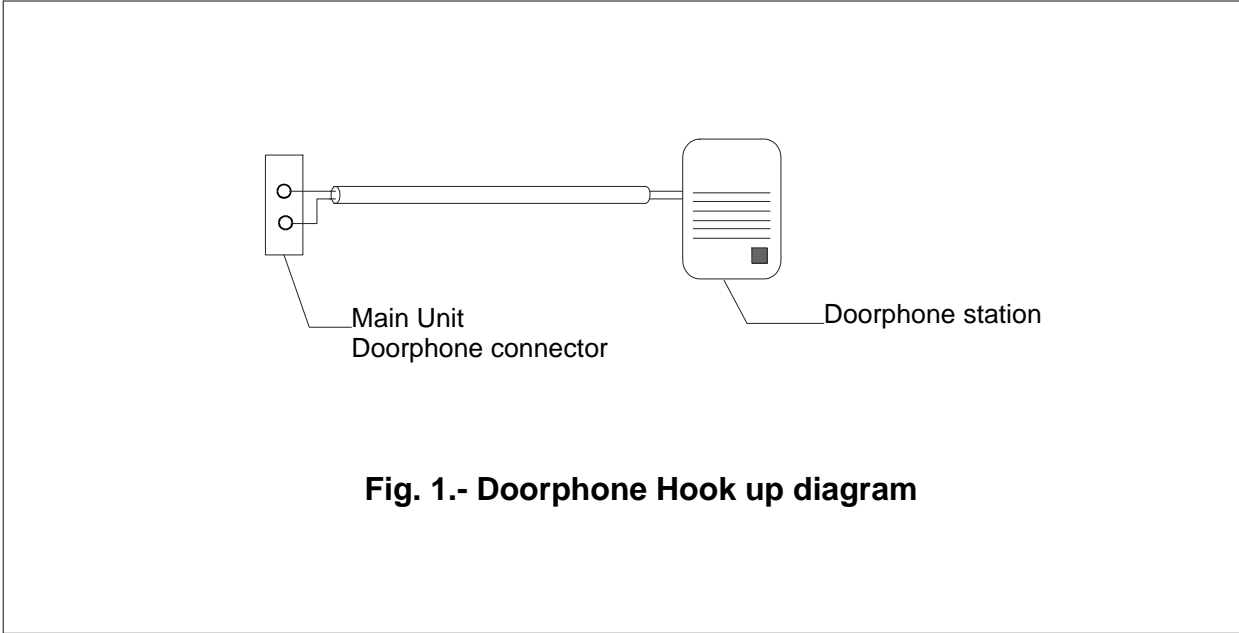


Ultimatoll Q-16S Peripherals Hookup Diagrams



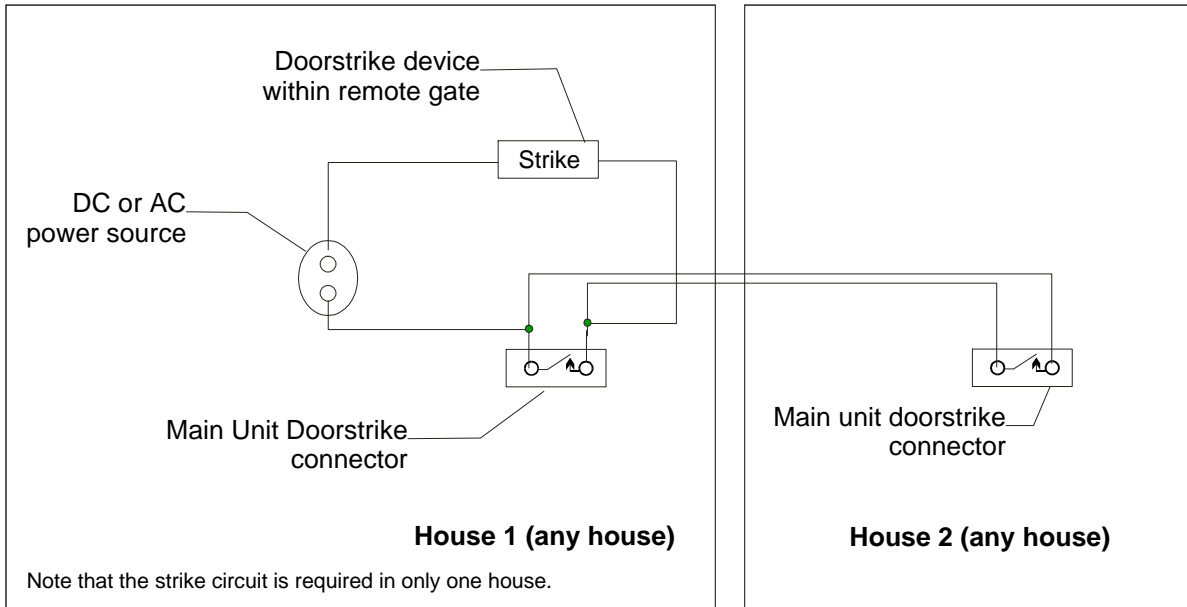


Fig 3.- Common gate control from two contiguous houses

(This setup applies even if your neighbor has a different phone system. It does not matter which system manages the strike circuit.)

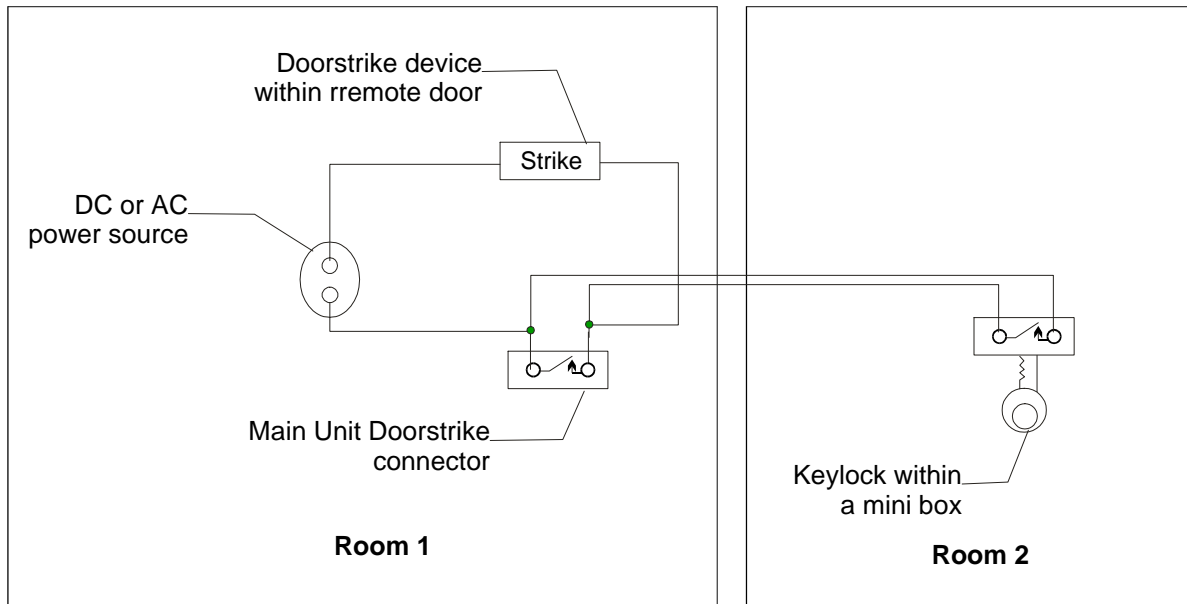


Fig 4.- Door access control from phones and a dedicated keylock installed in a separate area. (The keylock can rather be a simple switch.)