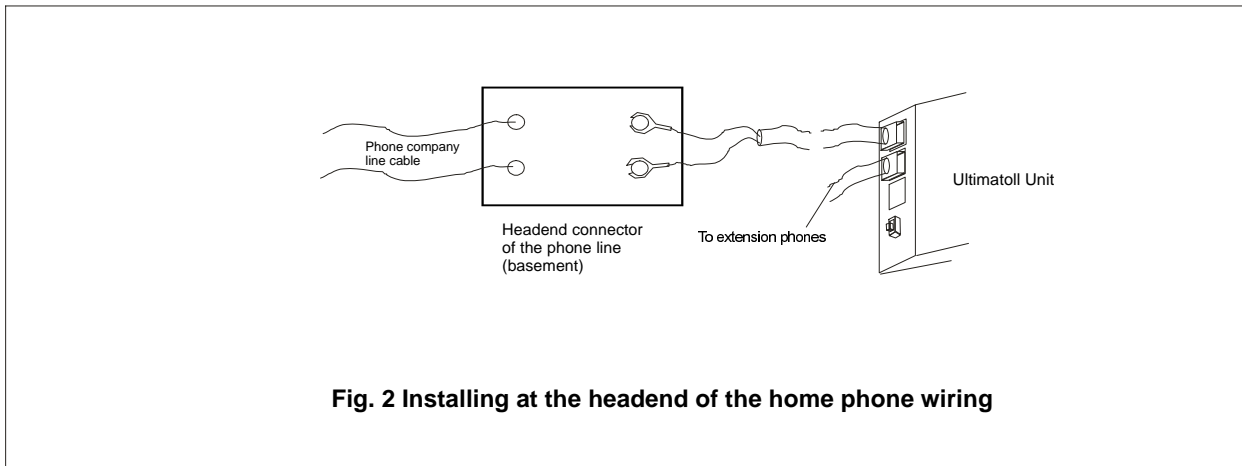
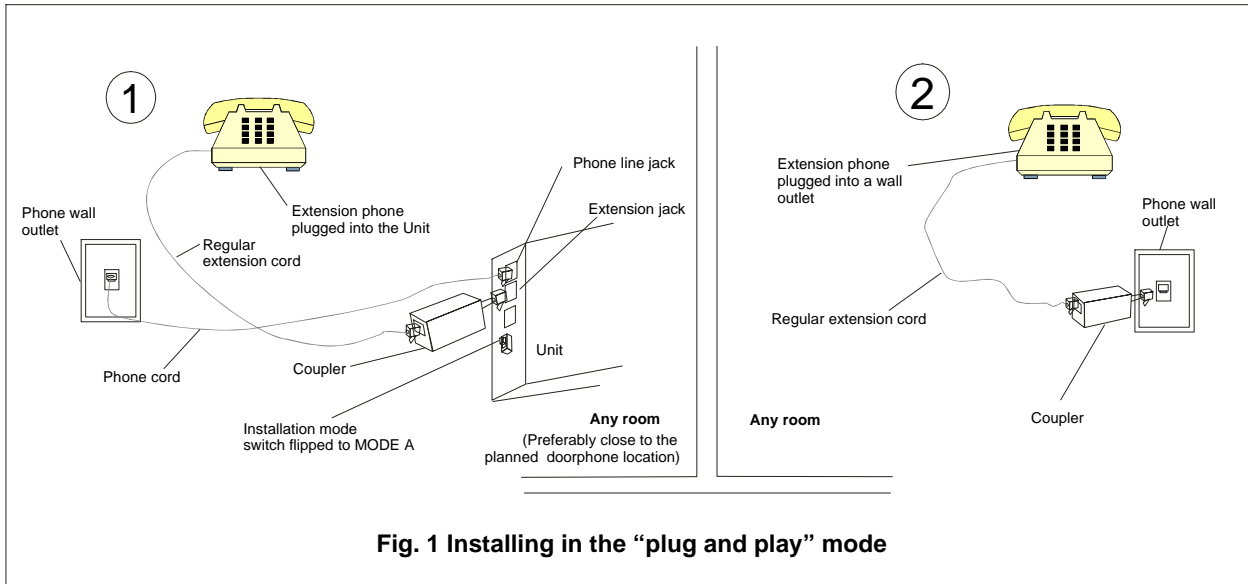
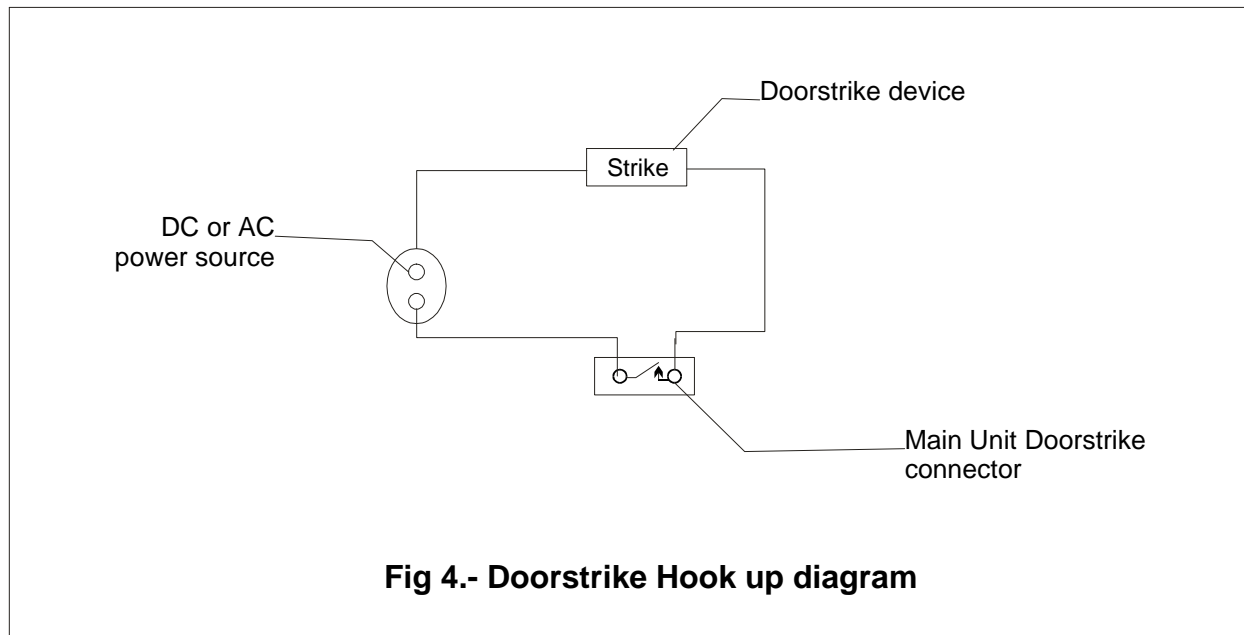
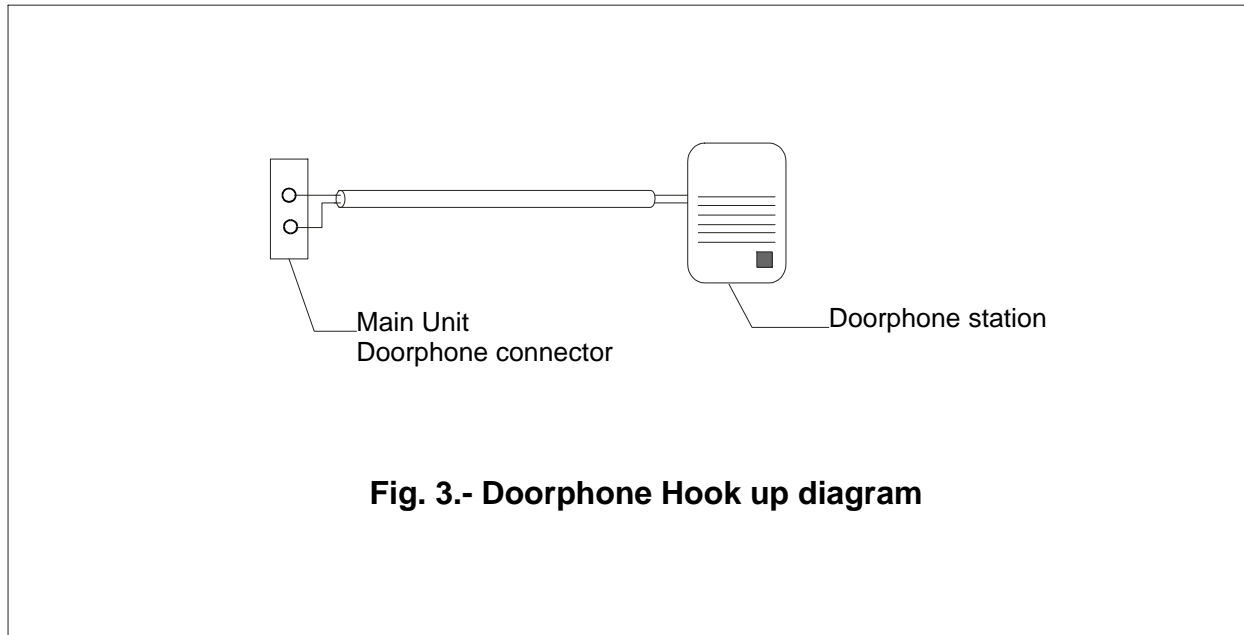


Ultimatoll Q-16S Main Unit Extension & Phone Line Hookup Diagrams



Ultimatoll Q-16S Peripherals Hookup Diagrams



Ultimatoll Q-16S

Phone Equipments Hookup Diagram

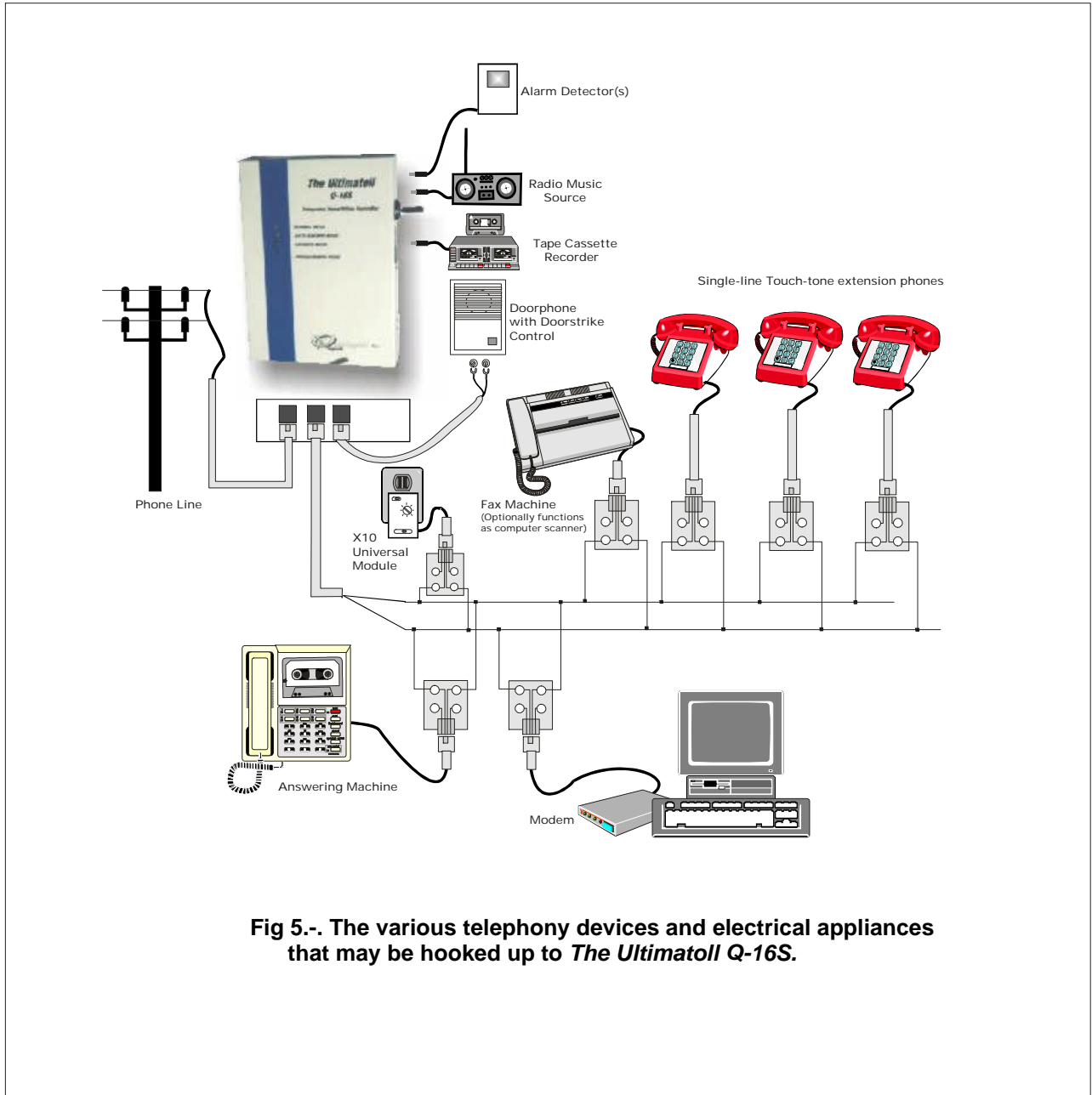


Fig 5.- The various telephony devices and electrical appliances that may be hooked up to *The Ultimatoll Q-16S*.